

Technical data

Max working height	12.20 m
Max height basket floor	10.20 m
Moving height	8.00 m
Max outreach (load 80 kg)	8.20 m
Max outreach (load 230 kg)	6.50 m
Rotation angle	+/- 110°
Basket size	1.80 x 0.70 m
Basket rotation angle	+/- 70°
Max basket capacity	230 kg
Length in stowed position (with detached basket)	3.80 (3,00) m
Min width in stowed position	1,15 m
Max working width	1.95 m
Min height in stowed position	1.99 m
Longitudinal leveling	+/- 15°
Lateral leveling	+/- 15°
Max gradeability	25°
Max side gradeability	25° Drive
speed (fast)	2.50 km/h
Security speed	0.30 km/h

Weights

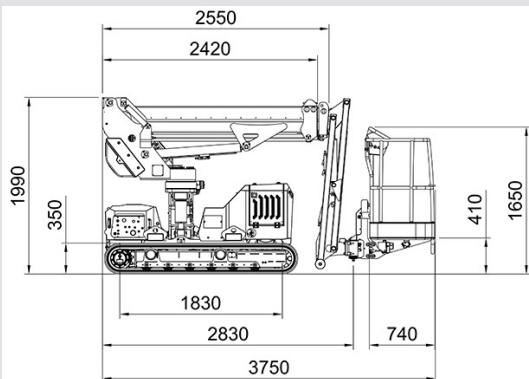
Traffic load	4.82 kN/m ²
Total weight	3600 kg

Power

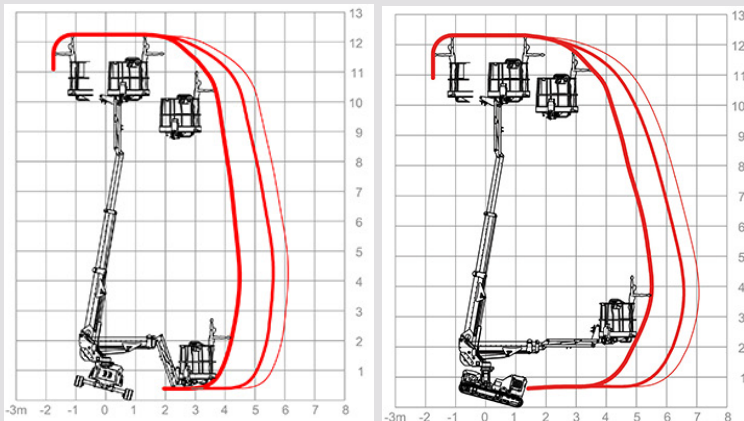
3TNM68 -AS Yanmar engine (diesel)	14 kW – 19,2 Hp
-----------------------------------	-----------------

Extras - On Demand

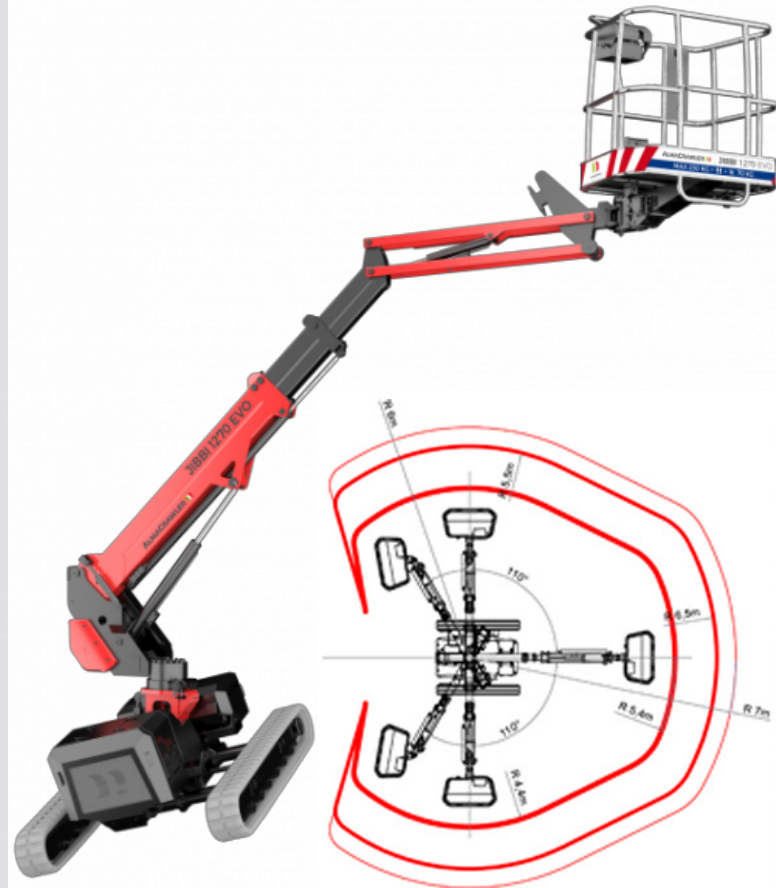
Non-marking tracks	-
Electric pump 220V-2,2KW / 50Hz	Weight +30kg
Radio remote control	-
Arctic lubricant for cold climate	-
Ultrasonic Anti-collision System	



— 80 kg
— 140 kg
— 230 kg

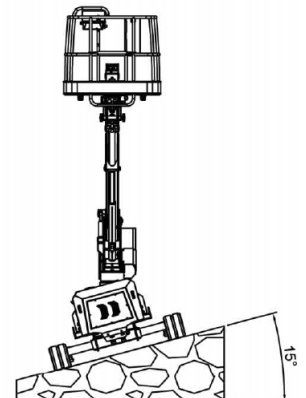
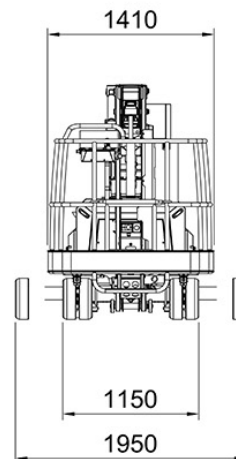


JIBBI 1270 EVO



Other Features:

- 240° Slewing ring rotation
- Basket rotation kit +/- 70°
- Integrated Drive System (using single joystick)
- automatic and dynamic leveling.
- Compact Dimensions.
- Removable basket



ALMACRAWLER 
ALMAC-PACIFIC.COM.AU